

For Product Step File or 3D Model Send a Request Mail To info@nrack.com

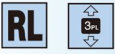


Photo View



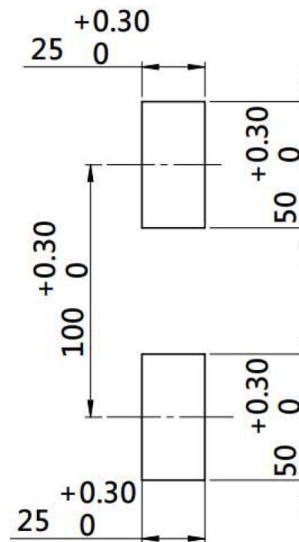
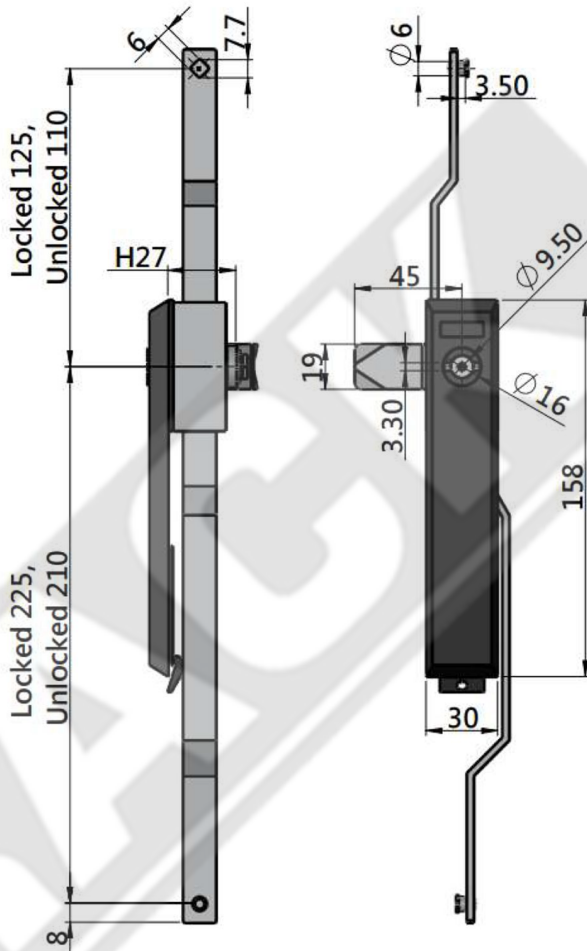
K7010-05

3D Rendered View



MS 103C-1

- Material: Zinc die-casting body, Plastic housing, Zinc plating cam and bright chrome plating rack
- Finish: Black powder coated
- Panel thickness: 1~2mm
- Remark: cam cutout 8x8



PANEL CUTOUT